

This heater is approved for outdoor use only.



SUPAGAS
YES WE CAN!

FireStick®

Safety warnings and operating instructions

(please read all instructions carefully).

Safety Warnings - (use only with LP Gas)

- This appliance must NOT be used indoors. **OUTDOOR USE ONLY**
- Installation must comply with local authority requirements.
- Minimum clearances MUST be maintained from combustible materials: **600mm (top)** and **1200mm (sides)** e.g. Overhead structures, walls furniture, fixtures and plants.
- This appliance must NOT be used in a building, garage or any other enclosed area.
- This appliance must only be used in a well ventilated area.
- This appliance must be placed on firm level ground.
- Improper installation, adjustment, or alteration can cause personal injury, property damage, or even death.
- Do not transport or move appliance while it is operating.
- If the appliance fails to operate correctly, contact place of hire or their authorised agent for advice and service. **DO NOT ATTEMPT REPAIRS YOURSELF**
- Do not place articles on or against this appliance.
- Do not store chemicals or flammable materials in the vicinity of this appliance.
- Do not spray aerosols or flammable materials in vicinity of appliance while it is operating.
- This appliance is NOT intended to be installed on recreational vehicles and/or boats.
- This appliance is NOT suitable for a marine environment.
- Do not operate with panels, covers or guards removed from this appliance.
- This appliance must NOT be used if the glass tube is damaged or not located in its correct position.
- If the appliance is tipped over, the glass tube can shatter in sharp edged fragments.



Operating Instructions:

Turning the appliance on:

1. Turn on the valve on the gas supply cylinder completely.
2. Press lightly and turn on the variable control knob to **PILOT** position.
3. Press down the variable control knob and hold for 30 seconds. While holding down the variable control knob, press the igniter button several times until the pilot flame lights. Release the variable control knob after the pilot flame lights, keep control knob depressed for 30 seconds.
4. Press lightly and turn the variable control knob to **HI** (maximum) position and leave in there for about 5 minutes, then turn the variable knob to switch to desired temperature position.

Note: A 5-minute complete shut off period is necessary before relighting.

Turning the appliance off:

1. Then press lightly and turn the variable control knob to **OFF** position.
2. Turn off the valve on the gas supply cylinder to shut down the heater.

WARNING

The guard is fitted to this appliance to reduce the risk of fire or injury from burns and no part of it should be removed.



13 SUPA
13 78 72
supagas.com.au

This heater is approved for outdoor use only.

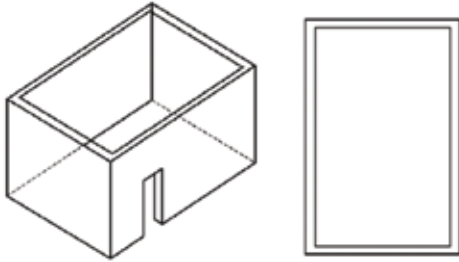


SUPAGAS
YES WE CAN!

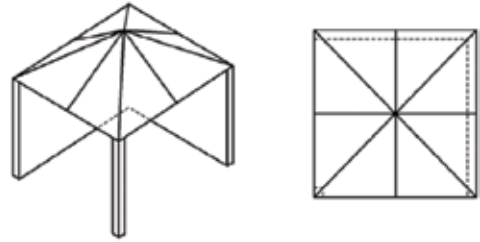
FireStick®

Note: The definition of outdoors is an above ground open-air situation with natural ventilation, without stagnant areas, where gas leakage and products of combustion are rapidly dispersed by wind and natural convection.

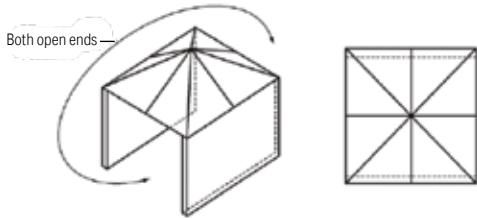
Please observe these diagrammatic representations of areas that are considered outdoors.



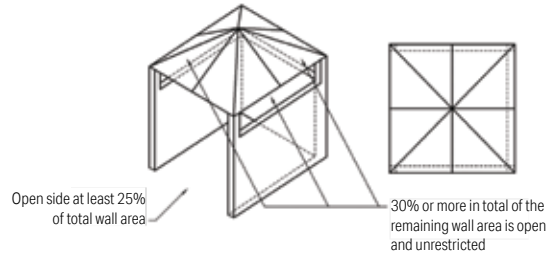
Outdoor Area - Example 1



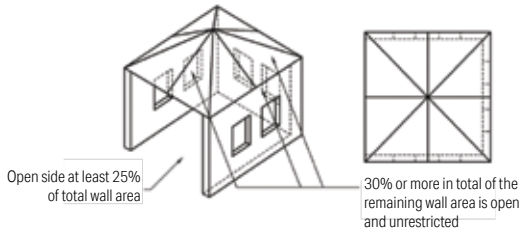
Outdoor Area - Example 2



Outdoor Area - Example 3



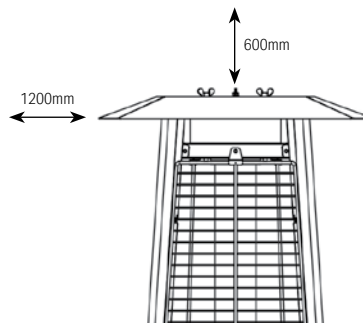
Outdoor Area - Example 4



Outdoor Area - Example 5

WARNING
Improper installation, adjustment, or alteration can cause personal injury and property damage.

Please observe the following guidelines to minimum clearances required from combustibles



Minimum Clearances from Combustibles
(top and sides)

NAT-HT33 Rev 2_31012019



13 SUPA
13 78 72
supagas.com.au