

Load Restraint Guide

Placarding

Placarding applies when the following volumes are exceeded



≥ 250 litres

- load containing at least 250 litres (water capacity) of dangerous goods, any of which are flammable gas (Class 2.1)



≥ 1,000 litres

- Any other load of dangerous goods of at least 1000kgs or 1000 litres

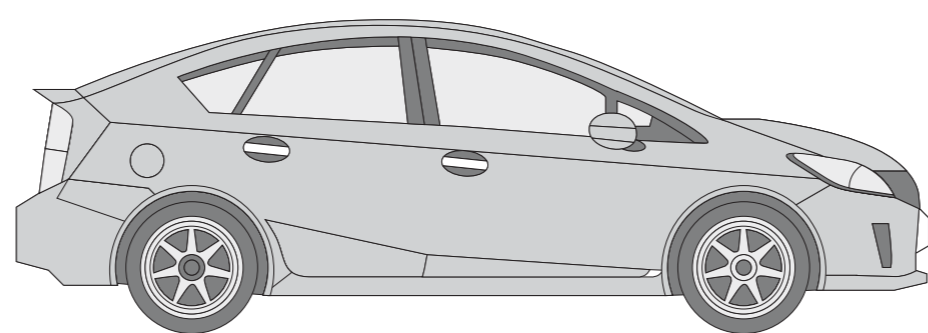
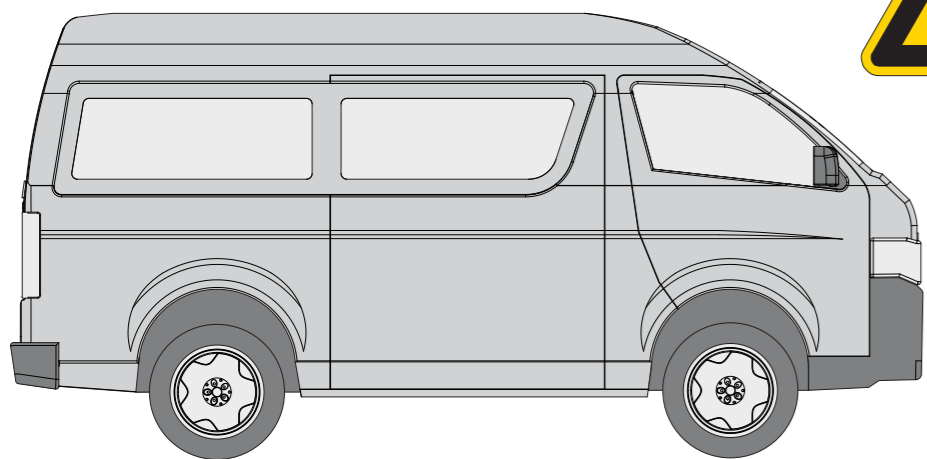


≥ 250 litres

- Mixed Classes

- Placard loads must carry the emergency equipment in accordance with the ADG Code.
- Cylinder restraint is ultimately the responsibility of the driver, however Supagas staff will provide guidance to ensure restraint complies with legislative requirements.

Vehicles with No Ventilation (Passenger Cars, SUV, Van)

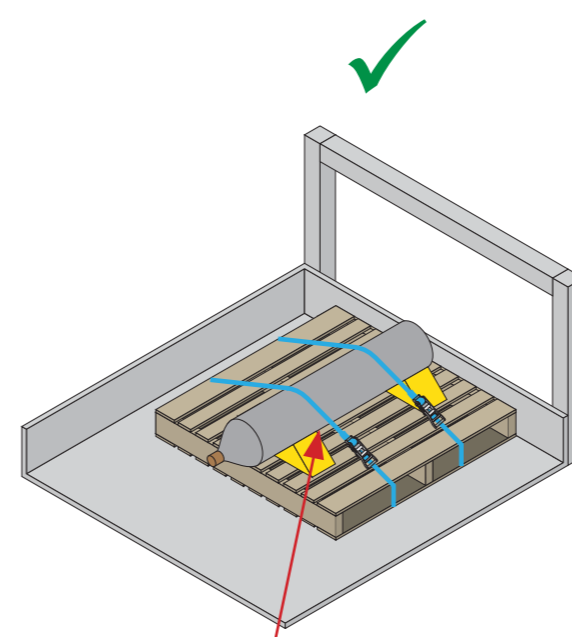


⚠ Where the transport of gas cylinder is required, refer to applicable guideline.

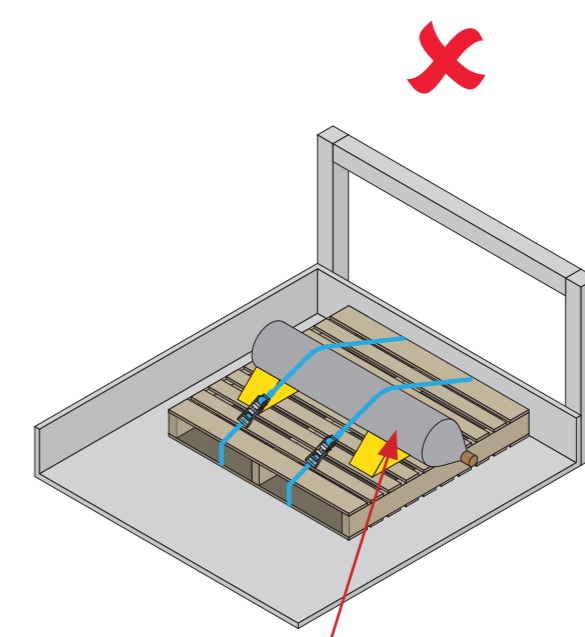
See Transporting Gas Cylinders Poster for details

Open Non Rigid Sided (ie. Ute, tray, trailer)

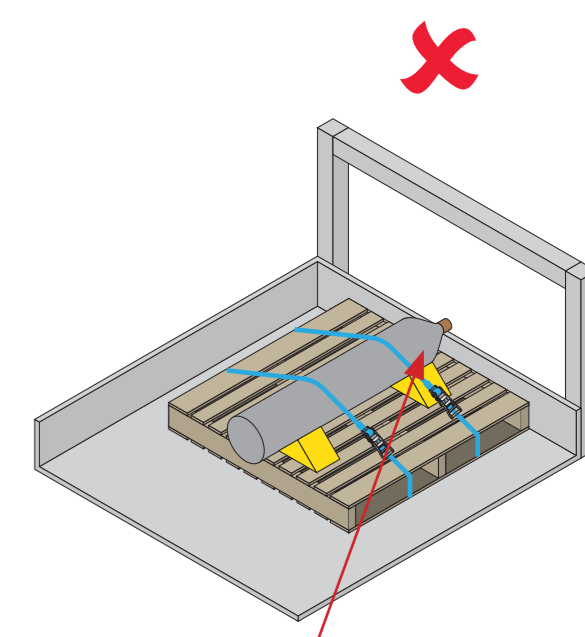
Loading Cylinders



Cylinder loaded on pallet correctly



Cylinder length going across the vehicle

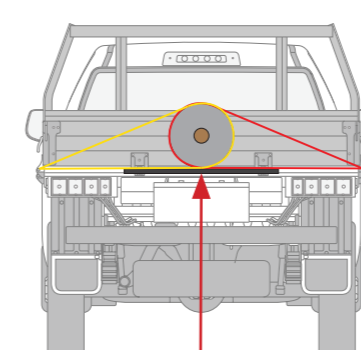


Cylinder valve facing the front of vehicle

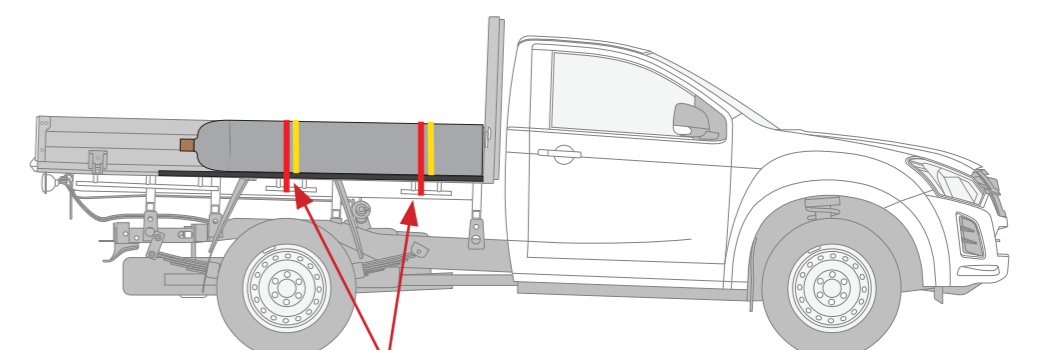
Load Restraint Examples



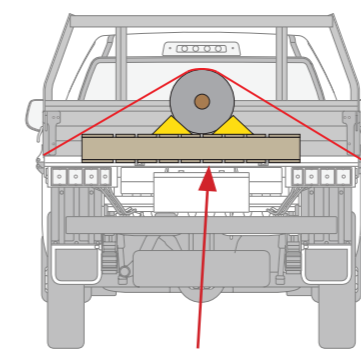
Load Restraint Method- Horizontal



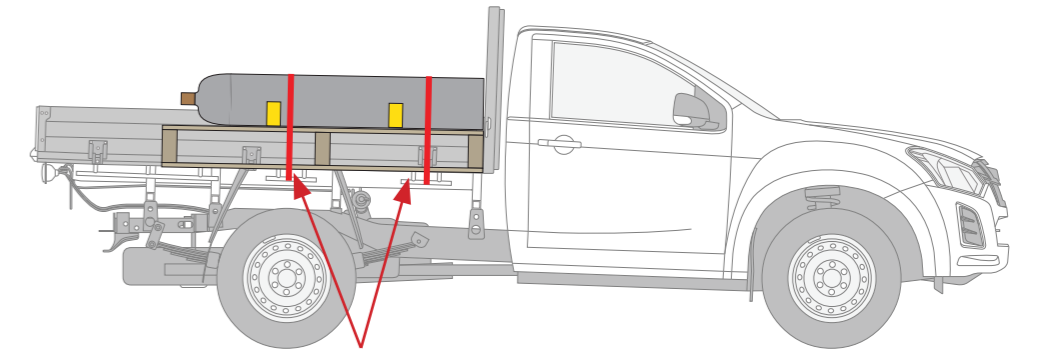
Load on timber or anti-slip matting



Two sets of opposed loops

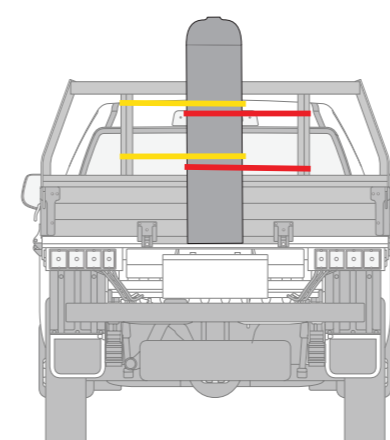


Loaded on pallet with fixed chock sideways

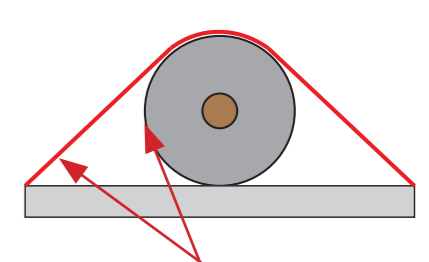
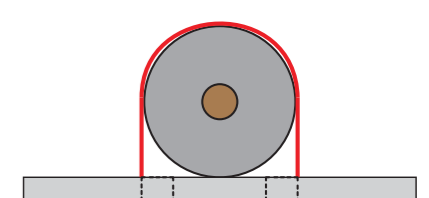
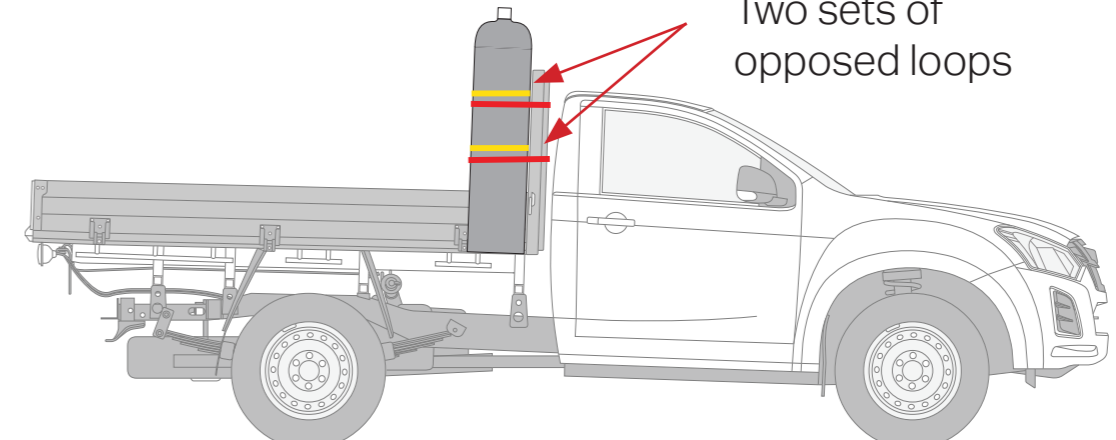


Two tie-down straps

Load Restraint Method- Vertical to Headboard



Two sets of opposed loops



Horizontal straps must be anchored straight back