

This heater is approved for outdoor use only.



SUPAGAS
YES WE CAN!

Fire Lamp

Safety warnings and operating instructions (please read all instructions carefully).

Safety Warnings - (use only with LP Gas)

- This appliance must NOT be used indoors. **OUTDOOR USE ONLY**
- Installation must comply with local authority requirements.
- Minimum clearances **MUST** be maintained from combustible materials: 1200mm (sides) and 640mm (top) e.g. Overhead structures, walls furniture, fixtures and plants.
- This appliance must NOT be used in a building, garage or any other enclosed area.
- This appliance must only be used in a well ventilated area.
- This appliance must be placed on firm level ground.
- Do not install in very windy locations.
- Improper installation, adjustment, or alteration can cause personal injury, property damage, or even death.
- Do not transport or move appliance while it is operating.
- If the appliance fails to operate correctly, contact place of hire or their authorised agent for advice and service. **DO NOT ATTEMPT REPAIRS YOURSELF**
- Do not place articles on or against this appliance.
- Do not store chemicals or flammable materials in the vicinity of this appliance.
- Do not spray aerosols or flammable materials in vicinity of appliance while it is operating.
- This appliance is NOT intended to be installed on recreational vehicles and/or boats.
- This appliance is NOT suitable for a marine environment.



Operating Instructions:

Turning the appliance on:

1. Turn on the valve on the gas supply cylinder.
2. Press and turn the variable control knob to **PILOT** position (counter- clockwise 90°).
3. Press down the variable control knob and hold for 30 seconds. While holding down the variable control knob, press the igniters button several times until the pilot flame ignited. Release the variable control knob 20~30 seconds after the ignition.

Note:

- If a new cylinder has just been connected, please allow at least one minute or more for the air in the gas pipeline to purge out through the pilot hole, or simply do step 3.
 - When lighting the pilot flame make sure that the variable control knob is continuously depressed while pressing the igniter button. Variable control knob can be released after the pilot flame has been lit for 20~30 seconds.
 - Pilot flame can be watched and checked from the peephole located on the base of burner.
 - If the pilot flame does not light or it goes out, repeat step 3.
4. Turn the variable control knob to **LO** and leave it there for 5 minutes or more before turning the knob to desired temperature setting.
 5. If the burner flame goes out accidentally or it is blown out by wind, turn off the heater and wait at least 5 minutes or more to let the gas dissipate before re-lighting to avoid possible gas explosion. Repeat steps 2 to 4.
 6. If the Pilot blows out, turn this side to leeward. (out of the wind) Turn the variable control knob to **PILOT** position. Press and turn the variable control knob to **OFF** position.

Turning the appliance off:

1. Turn off the valve on the gas cylinder and disconnect the cylinder.
2. Press and turn the variable control knob to **OFF** position.
3. Turn off the valve on the gas cylinder and disconnect the cylinder.

WARNING

After turning heater off, you must wait a minimum 5 minutes to let excess gas dissipate before lighting again.



13 SUPA
13 78 72
supagas.com.au

This heater is approved for outdoor use only.

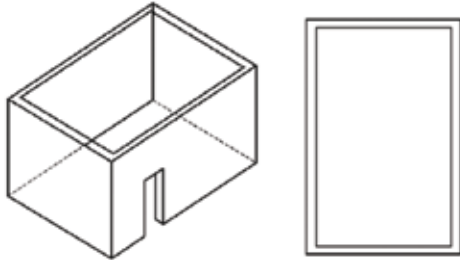


SUPAGAS
YES WE CAN!

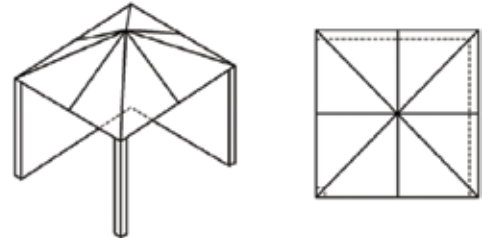
Fire Lamp

Note: The definition of outdoors is an above ground open-air situation with natural ventilation, without stagnant areas, where gas leakage and products of combustion are rapidly dispersed by wind and natural convection.

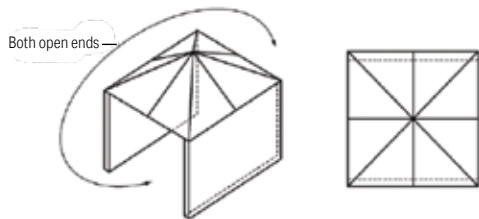
Please observe these diagrammatic representations of areas that are considered outdoors.



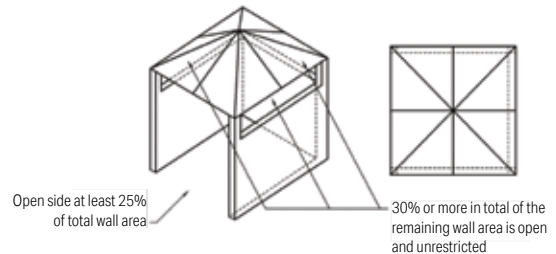
Outdoor Area - Example 1



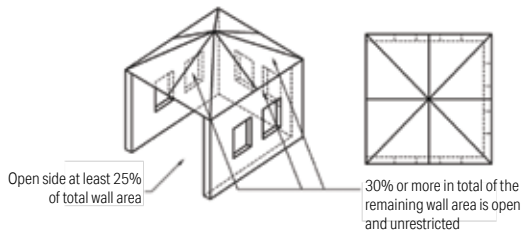
Outdoor Area - Example 2



Outdoor Area - Example 3



Outdoor Area - Example 4



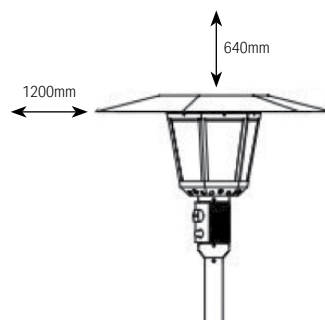
Outdoor Area - Example 5

WARNING

Improper installation, adjustment, or alteration can cause personal injury and property damage.

NOTE: In the case of balconies or verandahs, at least 20% of the total of the side, back and front wall must remain open and unrestricted.

Please observe the following guidelines to minimum clearances required from combustibles



Minimum Clearances from Combustibles
(top and sides)

NAT-HT31 Rev 3_19032019



13 SUPA
13 78 72
supagas.com.au